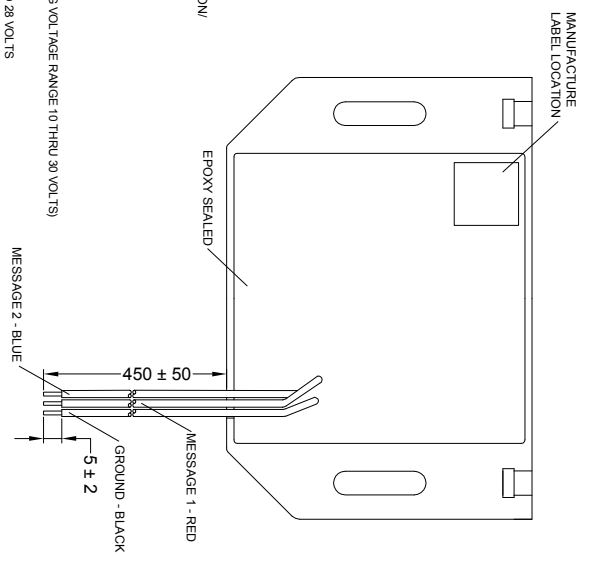
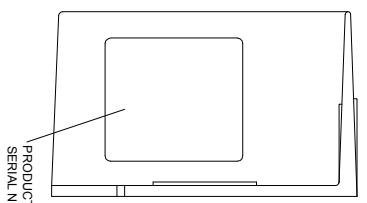
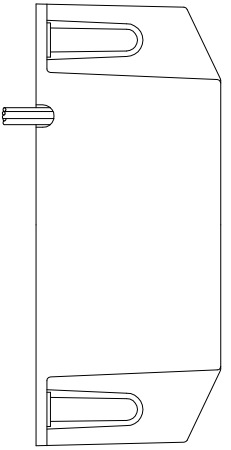
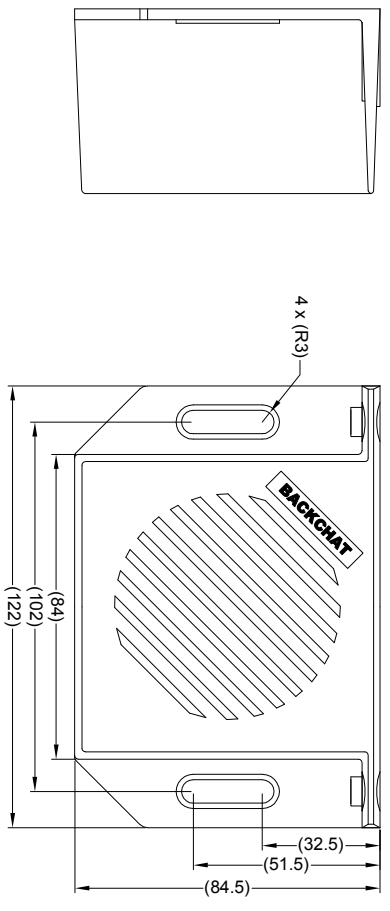
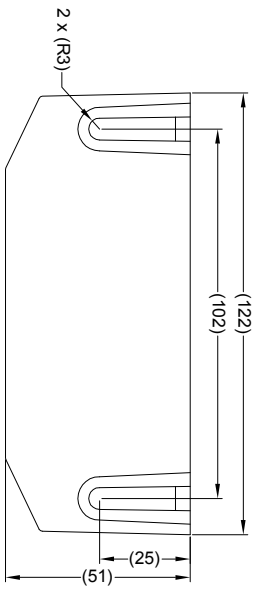


Revision Notes			
R1 - NOTES UPDATED TO INDICATE CORRECT LABEL DETAILS. STANDARDS UPDATED AS PER ECR CR-A253			
APR: AHEDDLE	Drawn/BATES	Checked/MBUTLER	Approved/GPUTH
			Date: 07/02/16



SPECIFICATION

- RATED VOLTAGE: 12 AND 24 VOLTS DIRECT CURRENT (WORKING VOLTAGE RANGE 10 THRU 30 VOLTS)
- RATED CURRENT: 0.5 AMPERES OR LESS
- SOUND PRESSURE: 90±4 DECIBELS AT TEST VOLTAGE OF 14 AND 28 VOLTS
- CABLE THICKNESS: ALL CABLES 240 2MM
- MESSAGE(S): 1. "RESPONSE CUSTOM MESSAGE"
- 2. "RESPONSE CUSTOM MESSAGE"
- MESSAGE LIBRARY NUMBER(S): 1. ASSIGNED AFTER CONFIRMATION
- 2. ASSIGNED AFTER CONFIRMATION
- VOICE/ACCENT: DEPENDENT ON CUSTOM MESSAGE
- LANGUAGE: DEPENDENT ON CUSTOM MESSAGE

NOTES:

1. MATERIAL: ABS PLASTIC - ULTRA VIOLET STABILIZED
2. FINISH: BLACK
3. FOR PRODUCT LABEL REFER TO LATEST REVISION OF DRAWING BE-002749-XX-13
4. FOR GIFTBOX LABEL REFER TO LATEST REVISION OF DRAWING BE-002325-XX-13
5. FOR MANUFACTURE LABEL REFER TO LATEST REVISION OF DRAWING BE-001990-XX-12
6. 2 X M6 X 25 BOLTS, 2 X M6 FLAT WASHER & 2 X M6 NUTS ARE SUPPLIED IN A PRESS SEAL BAG IN THE BOX.
7. POWER & MESSAGE CABLES LENGTHS ARE MEASURED FROM CABLE ENTRY POINT ON HOUSING.

PROPRIETARY NOTICE

THIS DESIGN AND TECHNICAL INFORMATION APPEARING ON THIS DRAWING IS THE PROPERTY OF BRIGADE ELECTRONICS, AND IS DISCLOSED IN CONFIDENCE. IT IS NOT TO BE COPIED, REPRODUCED, REVEALED TO OR EXPLOITED BY OTHERS, EITHER IN WHOLE OR IN PART WITHOUT THE EXPRESS WRITTEN CONSENT OF BRIGADE ELECTRONICS.



 Third Angle	Assembly PI Approval A.HEDDLE		Approved by DKERAL	Checked by JNEWMAN	Drawn by MBUTLER
	Angle of Projection	Units mm	Scale N/A	Released 27/07/11	Assembly Ref BC-02(B)
	Status RELEASED	BC-02(B)			
	Part No #0083	BE-0014,10-01-11			